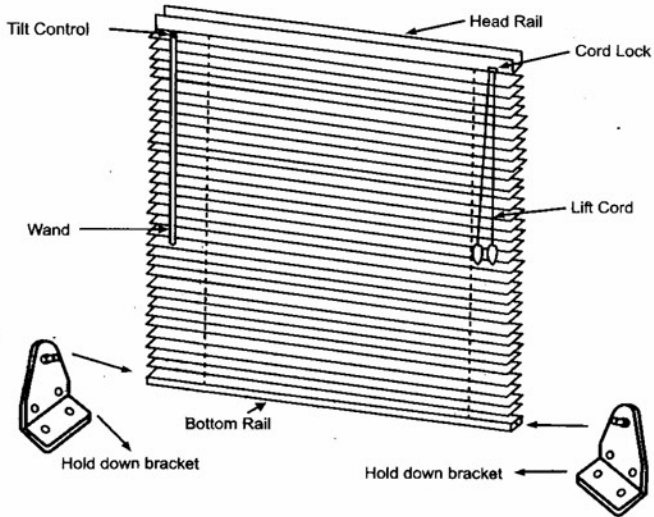


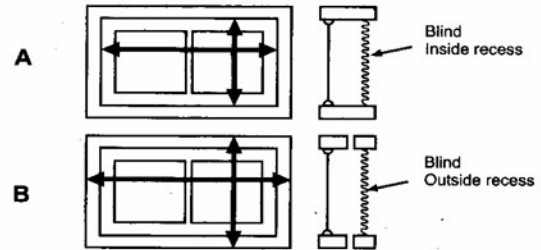
INSTALLATION INSTRUCTION

ALUMINIUM BLIND

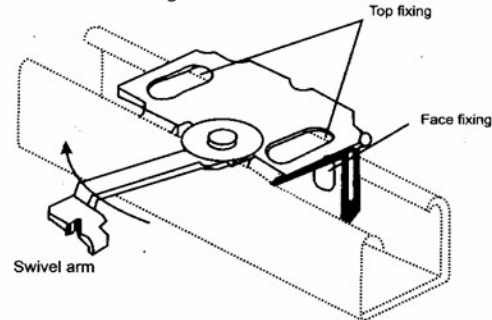


ACCESSORIES ENCLOSED

- (1) 2-4 pieces of spider mounting brackets
- (2) 1 piece of wand tilter
- (3) 4-8 pieces of 6 x 3/4" screw for bracket
- (4) 2 pieces of hold down bracket
- (5) 4 pieces of 6 x 3/4" screw for hold down bracket



1. Measure where you require the blind to be hung. The blind may be fitted inside (A) or outside (B) the recess.
2. Position the spider mounting brackets for fixing either face or top ensuring that the spider mounting brackets are fixed approximately 5 cms from the end of the blind.
The center spider mounting bracket (require for blind exceeding 120 cms width) may be positioned as required.
NB. Make sure not to position the spider mounting brackets where they would interfere with the working mechanisms of the blinds.



3. Now present the blind to the spider mounting bracket ensuring that the lugs position snugly under the front rim of the head rail. Then push the locking arm until it is pressed against the head rail.
4. Insert bottom rail into the pin of the hold down bracket. (Optional)

TO ADJUST THE DROP OF BLIND

After mounting the blind, check the height of the Blind to see if this should be adjusted.

If this is the case, then act as follows :

Carefully observe how the bottom rail is clasped into position by the plastic button.

Remove the button from the bottom rail and undo the knot in the lift cord. Remove the appropriate number of slats, reassemble the bottom rail and insert the button into position again.

TO OPERATE THE BLIND

Lowering :

Hold cord at eye level and move to the left, pulling down gently until cord lock releases. Allow cord to slip through fingers until blind reaches desired level. Move the lift cord to the right and release, blind will lock automatically.

Raising :

Pull cord downward until blind reaches desired height, release cord, the blind will lock automatically.

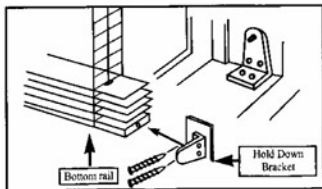
Tilting :

Rotate 'wand' of blind to attain desired slat position. Do NOT over-rotate wand.

Important :

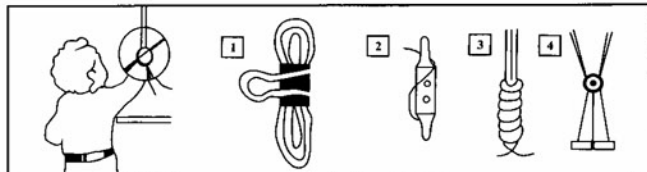
Always tilt blind horizontally before raising or lowering the blind, this increases the life of blind.

Installing Hold Down Brackets (Optional):



Hold down brackets: Using two small screws, screw hold down bracket to window facing or wall. Snap bracket pin ends into the hole at bottom rail end caps.

NOTE: The use of hold down brackets is recommended but is not a requirement for the normal functioning of the blind.



WARNING! Children can be strangled in blind or drapery cords. To keep cords out of reach of children, use these methods:

1. Clamp or clothes pin
2. Cleat
3. Tie the cord to itself
4. Tie-down device.