

fitting instructions for roller blinds

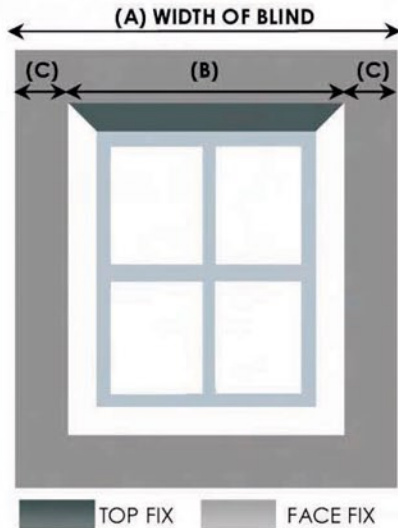
Step 1

Outside Recess

If the blind is to be fitted outside the window, ensure that measurement **C** is the same. **C** is simply equal to **A** minus **B**, divided by two. Follow instructions for FACE FIXING.

Inside Recess

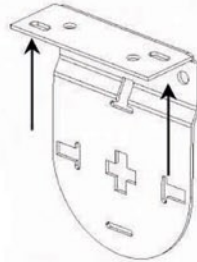
If TOP FIXING, fix to the lintel if the window frame is uPVC, or if there are no obstructions. If FACE FIXING, fit bracket to the window frame.



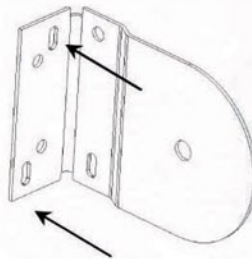
Step 2

Hold each bracket into place and mark the hole positions. Fit each bracket using 2 screws provided.

TOP FIXING

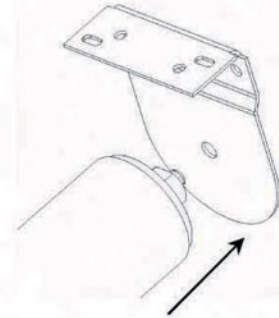


FACE FIXING

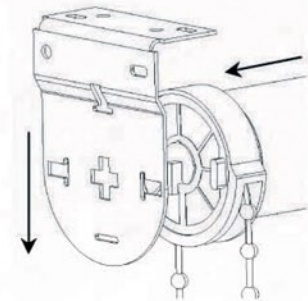


Step 3

Holding the fully-wound blind, insert the idle pin end into the bracket as shown.



With the idle pin end in place, insert the control end into the opposite bracket. Ensure that the blind has clicked into place using the centre lug.



Step 4

