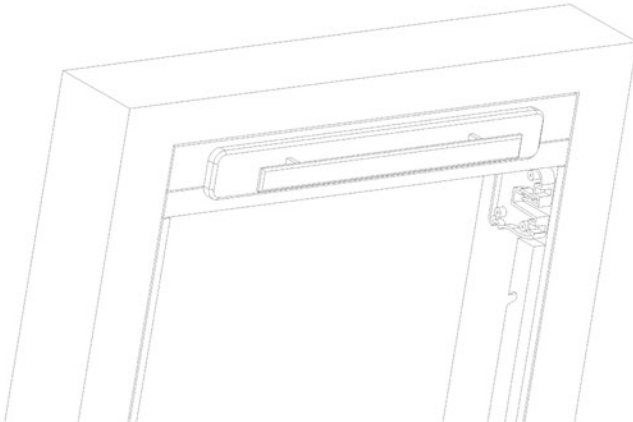
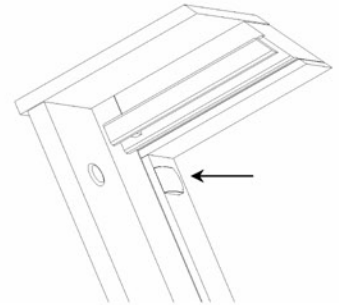
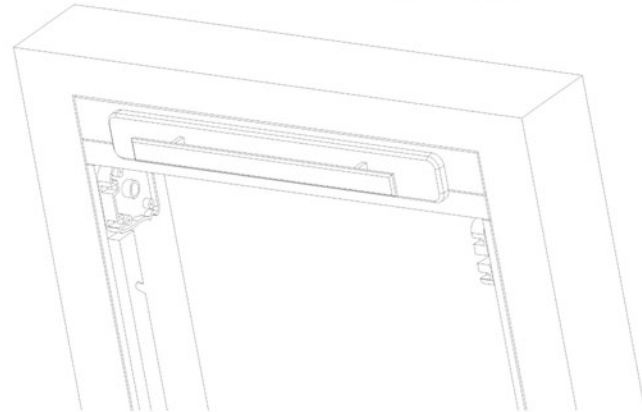


Item #	Description
1	Right hand bracket (Square end)
2	Valance
3	Left hand bracket (Round end)
4	Left hand guide
5	Blind unit
6	Fixing pins
7	Right hand guide

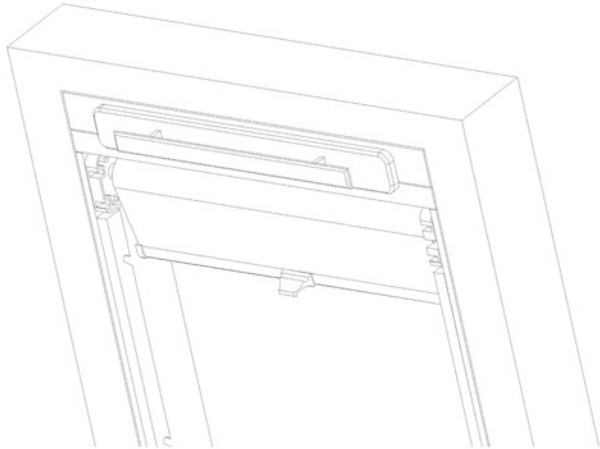
(1) Prior to fitting blind remove any existing brackets from window



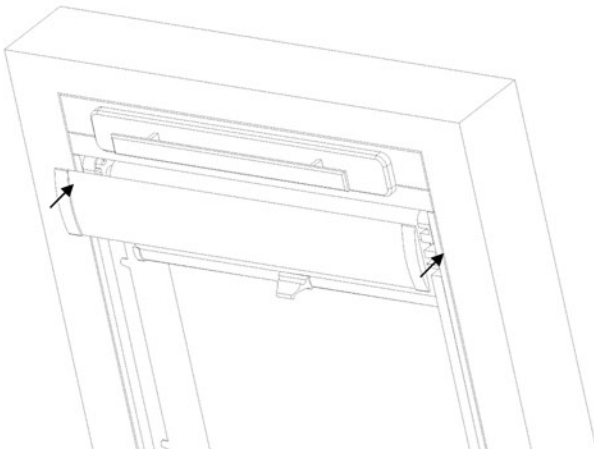
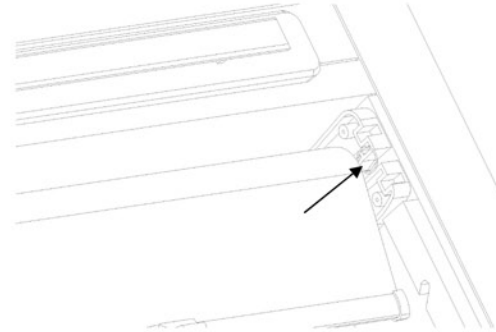
(2) Using Fixing Pins attach right hand bracket and guide to right hand inner surface of the window frame. Ensure bracket front is flush with the front of the window.



(3) Using Fixing Pins attach left hand bracket and guide to left hand inner surface of the window frame. Ensure bracket front is flush with the front of the window.



(4) Insert the pin end of the blind unit into the left hand bracket and then insert the square end of the blind unit into the right hand bracket. The tensioning pin must now be removed.



(5) Attach valence to brackets using locating points on the back.