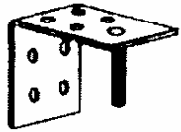


# Sunweave™ Fitting Instructions

Thank you for purchasing a Sunweave™ blind. Before you begin to install your new blind, please ensure that all parts listed below have been supplied.

## Parts List :



**2 x Brackets**  
(4 for blind width  
105 cm or over)



**2 x Washers**  
(4 for blind width  
105 cm or over)



**2 x Wing Nuts**  
(4 for blind width  
105 cm or over)



**8 x Bracket  
Screws**  
(16 for blind width  
105 cm or over)



**2 x Cord Cleat  
Screws**



**1 x Cord Cleat**



**8 x Plastic  
Wall Anchors**  
(16 for blind width  
105 cm or over)

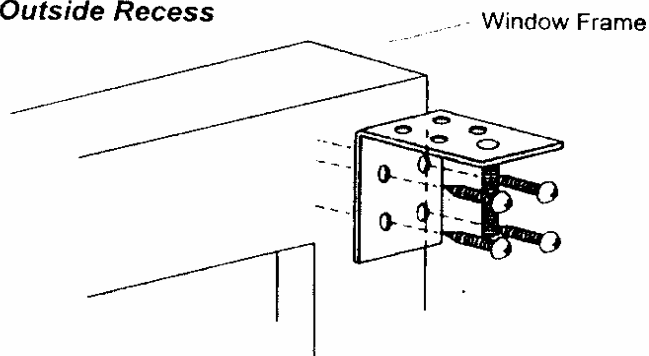
(This is attached to  
the bolt on the bracket)

(This is attached to  
the bolt on the bracket)

Care Instructions : To maintain the beauty of your blind, dust using a soft clean cloth or soft brush.

## INSTALLATION :

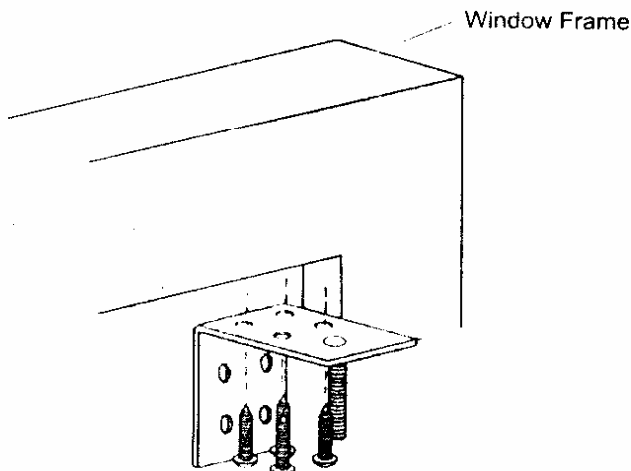
### Outside Recess



### STEP ONE : Positioning the blind

- The blind can be positioned either inside the window frame (Inside recess) or outside the window frame (Outside recess).
- Hold the blind up to the window exactly as you want it after installation, ensuring the blind is centered and level.
- Mark the exact position on the mounting surface using a pencil about 25 mm in from each end of the headrail.

### Inside Recess

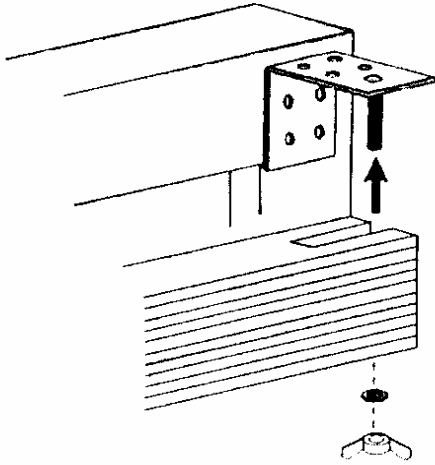


### STEP TWO : Installing the Brackets

- Place the first bracket on the pencil mark and mark the four drill holes.
- After drilling the holes, secure the bracket with the screws.

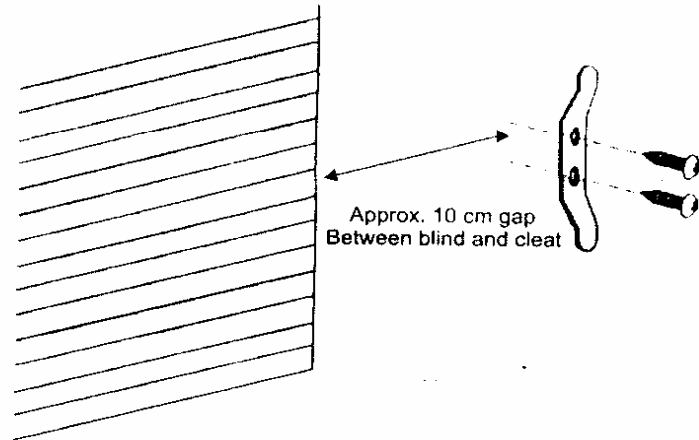
**OUTSIDE RECESS :** Brackets should be positioned on the outside of the window recess using the back holes of the bracket.

**INSIDE RECESS :** Brackets should be positioned on the inside of the recess using the top holes of the bracket.



### STEP THREE : Attaching Headrail to Brackets

- Remove Wing Nuts and Washers from the bolts on the bracket.
- Align slits of headrail with bolts on the bracket and slide headrail up.
- Secure blind to the bracket using the washers and wing nuts.



### STEP FOUR : Installing Cord Cleat

Position the cord cleat about 10 cm out from the right hand side of your Sunweave™ blind and around half way up the height of the blind. Mark position through the holes and secure the cord cleat with the cord cleat screws.

## **WARNING!**

To avoid the risk of strangulation, it is advisable to keep all pull cords out of the reach of children. Safety measures include :  
Installation of safety devices such as clamps and cleats that reduces the accessibility of the cord.

Move cots and furniture away from the window to avoid accessibility to the cord.

